



M45-12 SLD M

SPECIFICATIONS

Nominal Voltage (V) 12V

Nominal Capacity

20 hour rate (2.25A to 10.50V)	45Ah
10 hour rate (4.275A to 10.50V)	42.75Ah
5 hour rate (7.65A to 10.20V)	38.25Ah
1C (45A to 9.60V)	25.5Ah
3C (135A to 9.60V)	18Ah

Weight Approx. 31.9Lbs. (14.5kg)

Internal Resistance (at 1KHz) Approx. 7 mΩ

Maximum Discharge Current for 5 seconds : 540A

Operating Temperature Range

Charge	-15°C (5°F) to 40°C (104°F)
Discharge	-15°C (5°F) to 50°C (122°F)
Storage	-15°C (5°F) to 40°C (104°F)

Charge Retention (shelf life) at 20°C (68°F)

1 month	92%
3 months	90%
6 months	80%

Charging Methods at 25°C (77°F)

Cycle Use : Charging Voltage 14.4 to 15.0V
Coefficient -5.0mv / °C / cell
Maximum Charging Current : 13.5A

Standby Use : Float Charging Voltage 13.50 to 13.80V
Coefficient -3.0mv / °C / cell

Case Material : ABS
(Option : UL94 HB & UL94 V-0 Flame Retardant Case Material)

Terminal : F8

Terminal Hardware Torque Value :

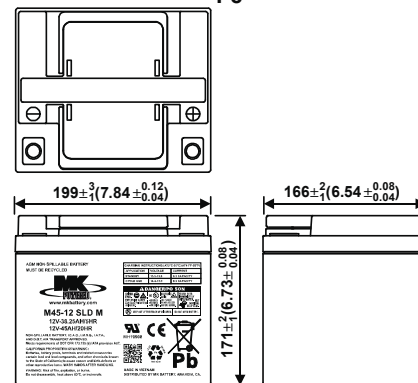
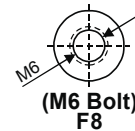
Recommended	M6: 5.39 Nm (55kg-cm)
Maximum Allowable	M6: 8.82 Nm (90kg-cm)

Maintenance-Free Rechargeable Sealed Lead-Acid Battery

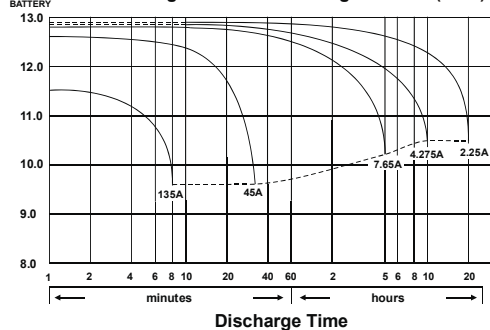


DIMENSIONS

mm(inch)



(v) FOR 12V BATTERY Discharge Time VS. Discharge Current (25°C)



MK Battery

1631 South Sinclair Street • Anaheim, California 92806

Toll Free: 800-372-9253 • Fax: 714-937-0818 • E-mail: sales@mkbattery.com

